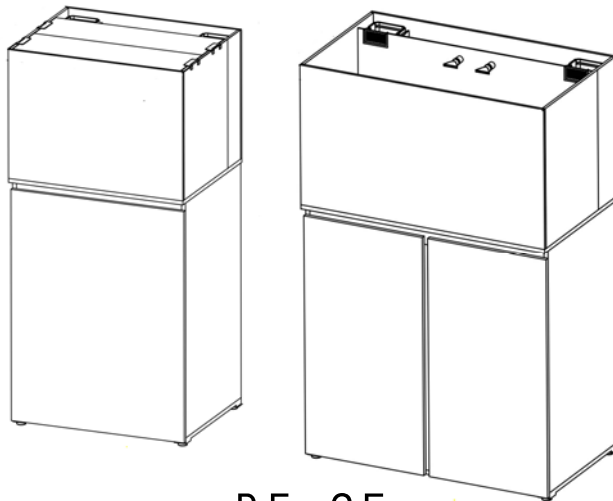




RIMLESS

MIDSIZE FLAT PANEL



RF - 25
RF - 45
RF - 65

MANUAL

WWW.JBJLAQUARIUM.COM

RIMLESS FLAT PANEL

TABLE OF CONTENTS	
IMPORTANT SAFETY INTRUCTIONS	3—5
INTRODUCTION	
Specifications	7
Parts View	8-10
What's Inside	12
Handling	13
Choosing a Location	13
Filling the Aquarium	13
MAINTENANCE	
Water Changes	14
Replacing Micron Sock	14
Pump Replacement	15
WARRANTY	18-20

RIMLESS FLAT PANEL

Important Safety Instructions

WARNING

To guard against injury, basic safety precautions should be observed, including the following:

READ ALL SAFETY INSTRUCTIONS BEFORE USE.

DANGER

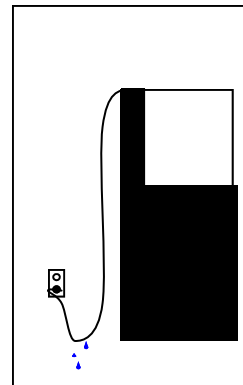
To avoid possible electric shock, special care should be taken since water is employed in the use of aquarium equipment. For each of the following situations, do not attempt to repair yourself: return the appliance to an authorized service facility for service or discard the appliance.

A. If the appliance falls into water, DON'T reach for it! First unplug it and then retrieve it. If the electrical components of the appliance get wet, unplug the appliance immediately.

B. Carefully examine the appliance after installation. It should not be plugged in if there is water on parts not intended to be wet.

C. Do not operate any appliance if it has a damaged cord or plug, or if it is malfunctioning or if it is dropped or damaged in any manner.

D. To avoid the possibility of the appliance plug or receptacle getting wet, position aquarium stand and tank to one side of a wall mounted receptacle to prevent water from dripping onto the receptacle or plug. A "drip loop", shown in the Figure at the right should be arranged by the user for each cord connecting an aquarium appliance to a receptacle. The "drip loop" is that part of the cord below the level of the receptacle or the connector if an extension cord is used, to prevent water travel along the cord and coming in contact with the receptacle. (Continued on pg. 4)



Important Safety Instructions

D. (Continued from pg. 3)

If the plug or the receptacle do get wet, DON'T unplug the cord. Disconnect the fuse to the circuit breaker that supplies power to the appliance. Then unplug and examine for the presence of water in the receptacle.

E. Close supervision is necessary when any appliance is used by or near children.

F. To avoid injury, do not contact moving parts or hot parts such as heaters, reflectors, lamp bulbs, and etc.

G. Always unplug an appliance from the outlet when not in use, before putting on or taking off parts, and before cleaning. Never yank the cord to pull plug from the outlet. Grasp the plug and pull to disconnect

H. Do not use an appliance for other than intended use. The use of attachments not recommended or sold by the appliance manufacturer may cause an unsafe condition.

I. Do not install or store the appliance where it will be exposed to the weather or to temperatures below freezing.

J. Make sure an appliance mounted on a tank is securely installed before operating it.

K. Read and observe all the important notices on the appliance.

L. This Appliance has a polarized plug (one blade is wider than the other). As a safety feature, this plug will fit in a polarized outlet only one way. If the plug does not fit fully in the outlet, reverse the plug. If it still does not fit, contact a qualified electrician. Never use with an extension cord unless plug can be fully inserted. Do not attempt to defeat this safety feature.

M. This appliance is intended **FOR HOUSEHOLD INDOOR USE ONLY**.

RIMLESS FLAT PANEL

Important Safety Instructions

HANDLING

- A. Do not use ammonia base chemicals to clean the Flat Panel Rimless Aquariums
- B. Unplug electrical components before performing any maintenance

SAVE THESE INSTRUCTIONS

INTRODUCTION***FEATURES***

- Rimless Flat Panel Design w/ High Clarity Glass & Black Silicone
- All-In-One Filtration w/ Built In Overflow
- Designated Heater and Protein Skimmer Column
- 4" Micron Sock w/ Removable Sock Cradle
- Return Pump(s) with Directional Flare Nozzle

Tank Specifications

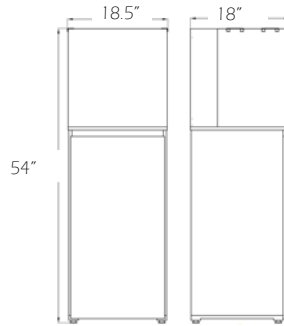
MODEL	TANK SPECS				PUMP SPEC (1Pump)	
	GALLON	GLASS THICKNESS	DIMS (LxWxH)	WIEGHT(lbs)	WATTS	FLOW RATE
RF-25	25g	8mm	18.5"x18"x18"	49	12W	198gph
RF-45	45g	10mm	26.5"x22"x19"	88	16W*2	264gph*2
RF-65	65g	10mm	36"x21"x20"	128	25W*2	396gph*2

Cabinet Stand Specifications

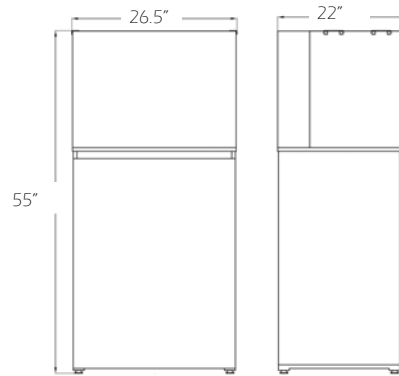
MODEL	STAND SPECS	
	GALLON	DIMS (LxWxH)
FPT-25	25g	18.5"x18"x36"
FPT-45	45g	26.5"x22"x36"
FPT-65	60g	36"x21"x36"

INTRODUCTION

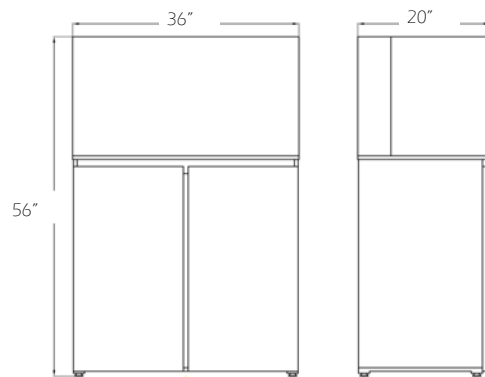
RF-25



RF-45

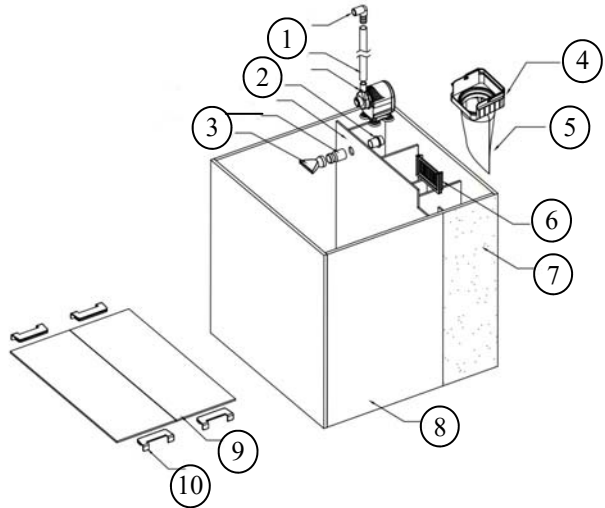


RF-65



RIMLESS FLAT PANEL *Introduction*

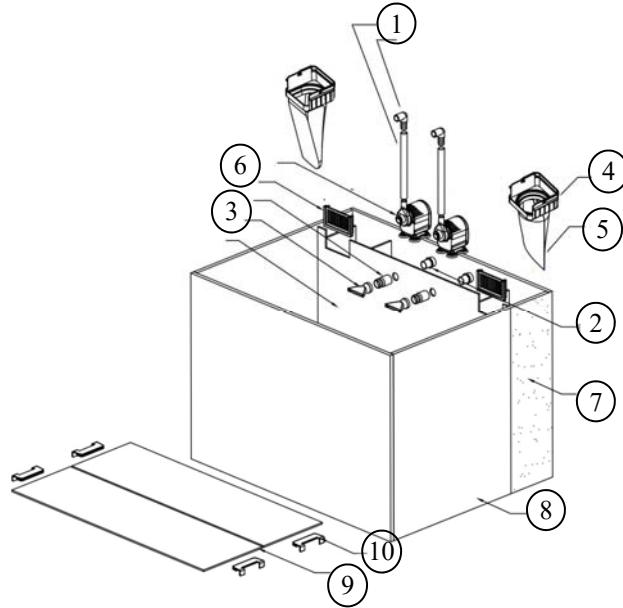
PARTS VIEW RF-25



#	DESCRIPTION
1	RETURN PUMP ASSEMBLY
2	RETURN ELBOW CONNECTOR
3	RETURN FLARE NOZZLE
4	4" FILTER SOCK CRADLE
5	4" MICRON FILTER SOCK
6	OVERFLOW STRAINER
7	VINYL FILTER COVER
8	25G AQUARIUM
9	25G GLASS LID
10	GLASS LID CLIPS

RIMLESS FLAT PANEL *Introduction*

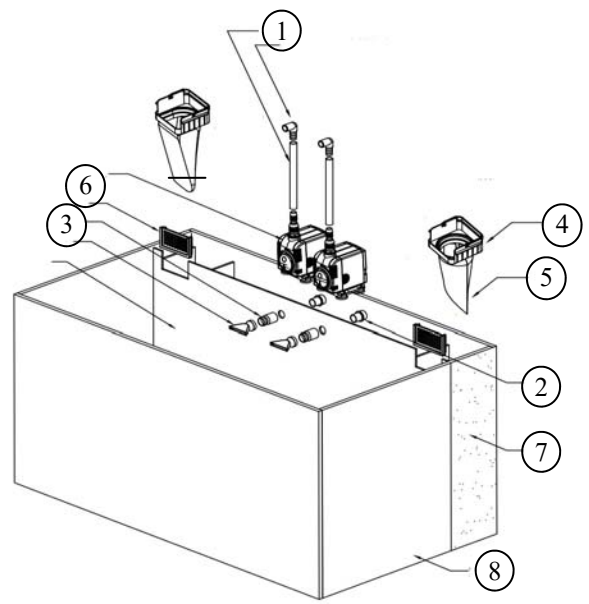
PARTS VIEW RF-45



#	DESCRIPTION
1	RETURN PUMP ASSEMBLY
2	RETURN ELBOW CONNECTOR
3	RETURN FLARE NOZZLE
4	4" FILTER SOCK CRADLE
5	4" MICRON FILTER SOCK
6	OVERFLOW STRAINER
7	VINYL FILTER COVER
8	45G AQUARIUM
9	45G GLASS LID
10	GLASS LID CLIPS

RIMLESS FLAT PANEL *Introduction*

PARTS VIEW RF-65



#	DESCRIPTION
1	RETURN PUMP ASSEMBLY
2	RETURN ELBOW CONNECTOR
3	RETURN FLARE NOZZLE
4	4" FILTER SOCK CRADLE
5	4" MICRON FILTER SOCK
6	OVERFLOW STRAINER
7	VINYL FILTER COVER
8	65G AQUARIUM

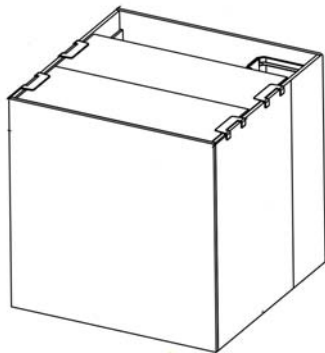
WHAT'S INCLUDED INSIDE OF BOX

Carefully unpack your new Rimless Flat Panel Aquarium. Inspect all its components and confirm all parts are included before using.

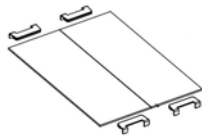
Report any damages or missing components to:

Toll Free—877-374-9981

Email—warranty@bjblighting.com



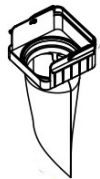
- Rimless Flat Panel Aquarium



- Glass Lid & Glass Holder Clips



- Return Pump(s)
- 45g & 65g—2 pumps



- Sock Cradle & 4" Micron Sock
- 45g & 65g—2 Cradles & Socks

HANDLING

- Do not lift or move aquarium when filled with water
- Drain water to at 50% before lifting or moving aquarium
- Do not lift aquarium from side walls or light fixture
- Move or Lift Aquarium from the underneath

CHOOSING A LOCATION

- Find a leveled surface that can support the weight of the tank, water, and livestock. An average aquarium can weigh 10lbs per gallon once filled with water, rock, gravel, and other accessories.
- Do not place in direct sunlight to prevent excessive algae growth and higher water temperatures.

FILLING THE AQUARIUM

- Always dechlorinate tap water before adding into the aquarium.
- Always fill with room temperature water.
- Rinse Micron Sock which is located in the rear filter compartment under the sink for 30 seconds or until water runs clear.
- Fill the main body of the Rimless Flat Panel until water flows through overflow on the filter wall. Once the back filter/pump chamber is full, plug in pump power cord(s) into an approved electrical outlet with a fuse or circuit breaker.
- Once pump is on, water will flow from the back filter chambers through the directional flow nozzle into the main body of the Rimless Flat Panel. Adjust accordingly to desired flow position.

RIMLESS FLAT PANEL

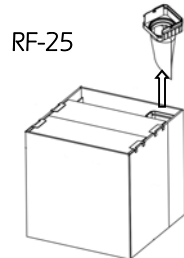
Regular maintenance is the key to a successful thriving aquarium. Maintaining an aquarium can be very easy with a regular cleaning schedule. Pump must be unplugged before performing any tank maintenance.

WATER CHANGES

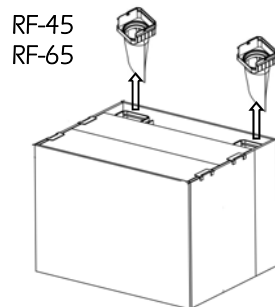
- A. Water changes should be carried out on monthly to bi-monthly schedule depending on how much bio-load is kept.
- B. 25% water changes with gravel vacuuming is essential to keep dissolved organic carbons to a minimum.

REPLACING THE MICRON SOCK

- Micron Sock should be changed on a monthly basis to remove trapped debris and free floating particulate matter.



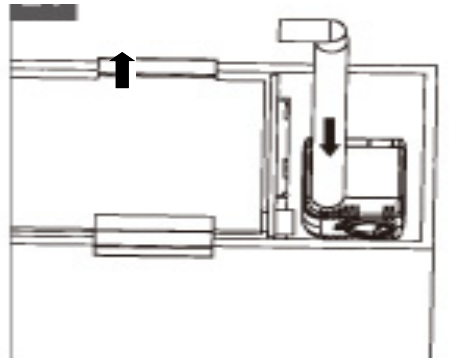
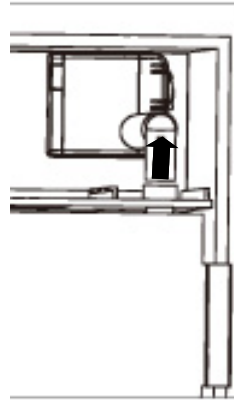
- Unplug Pump
- Push Sock Cradle Back—clearing from overflow
- Lift Sock Cradle upwards to pull out of filter compartment



RIMLESS FLAT PANEL

PUMP REPLACEMENT

- Unplug Pump
- Pull 90deg elbow out from return chamber
- Pull up return pump



RIMLESS FLAT PANEL

RIMLESS FLAT PANEL

WARRANTY INFORMATION

1 Year Limited Warranty

This **RIMLESS FLAT PANEL MISIZE** is warranted to the original purchaser against defective material and workmanship for 1 Year from the date of original purchase. This warranty is valid only under the following conditions: additions, modifications, or changes made to the product by the purchaser and not by the manufacturer shall void this warranty. Damages brought on by abuse, misapplication, or mishandling also voids this warranty.

This warranty is limited to the repair or replacement of the product at the discretion of the manufacturer. This warranty does not cover personal injury, property loss, including livestock or damage (direct, incidental, or consequential) arising out of use of this product. This warranty gives you specific rights and you may also have other rights, which may vary from state to state.

This warranty card must be filled out completely and returned within (14) days from the date of purchase. Failure to do so will void this warranty. A proof of purchase from an authorized dealer must be provided when making a warranty claim.

Upon discovery of a defect, please call us to obtain an RMA #.

Tel: (310) 672-4099 / Tel: (310) 672-4021

All claims should be sent prepaid to the following address:

Transworld Aquatics Enterprises, Inc.

3730 Unit 3, West Century Blvd.

Inglewood, CA 90308

RIMLESS FLAT PANEL *Warranty Registration*

Please Fill Out Completely and Return within 14 days from date of purchase. *(Please Print)*

Customer Name: _____

Address: _____

City: _____

State: _____ Zip: _____

Phone#: _____

Email: _____

Yes I would like to receive emails on JBJ News—New Products, Sales, Rebates

No I do not want receive emails on JBJ News

Date of Purchase: _____

Model _____

Dealer Purchased From: _____

Date of Purchase: _____

Please mail warranty registration and Proof of Purchase to:

Transworld Aquatics Enterprises, Inc.
Attn: Warranty Dept.
3730 Unit 3, West Century Blvd.
Inglewood, CA 90308

You can also register your product on our website—JBJAQUARIUM.COM

Tear Off



Fold Here

Stamp

Transworld Aquatic Enterprises, Inc

3730 W. Century Blvd #3
Inglewood, CA 90303
Phone: (877) 374-9981

JBJLIGHTING.COM